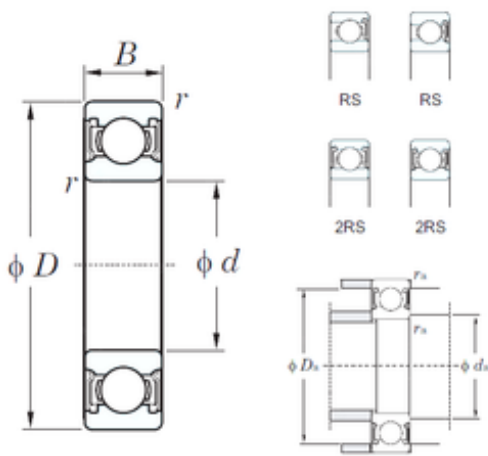




China Abec 7 Bearing Supplier



6305-2RS Bearing 2D drawings and 3D CAD models

NSK NTN Koyo Timken SKF
 Agricultural/Angular/Insert/Thrust/Pillow
 Block/Deep Groove Ball Bearing 6305-2RS 6306
 6307 6308 6309 High Speed Motor Bearing

Bearing No. 6305-2RS

| | |
|-------------------------------|-------------|
| Size | 25x62x17 mm |
| Bore Diameter | 25 mm |
| Outer Diameter | 62 mm |
| Width | 17 mm |
| d | 25 mm |
| D | 62 mm |
| B | 17 mm |
| C | 17 mm |
| r min. | 1,1 mm |
| da min. | 31,5 mm |
| da max | 34 mm |
| Da max. | 55,5 mm |
| ra max. | 1 mm |
| Weight | 0,232 Kg |
| Basic dynamic load rating (C) | 20,6 kN |
| Basic static load rating (C0) | 11,3 kN |
| (Grease) Lubrication Speed | 7500 r/min |