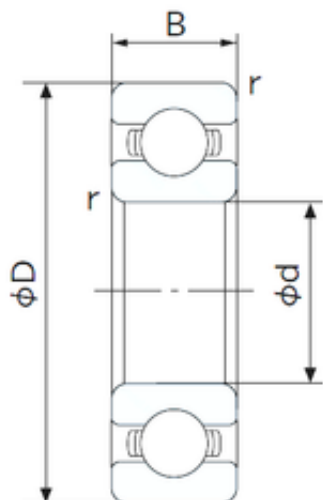




China Abec 7 Bearing Supplier



6306 - 2RS 6306 - Zz 6307 - 2RS 6307 - Zz Deep Groove Ball Bearing SKF NSK NTN Timken Koyo NACHI

Bearing No. 6306

Size	30x72x19 mm
Bore Diameter	30 mm
Outer Diameter	72 mm
Width	19 mm
d	30 mm
D	72 mm
B	19 mm
C	19 mm
r min.	1.1 mm
da min.	37 mm
Da max.	65 mm
ra max.	1.0 mm
Weight	0.346 Kg
Basic dynamic load rating (C)	26,7 kN
Basic static load rating (C0)	15 kN
(Grease) Lubrication Speed	9200 r/min
Category	Single Row Ball Bearings
Inventory	0.0
Manufacturer Name	NACHI
Minimum Buy Quantity	N/A
Weight / Kilogram	0
Product Group	B00308
Enclosure	Open
Precision Class	ABEC 1 ISO P0

6306 Bearing 2D drawings and 3D CAD models



China Abec 7 Bearing Supplier

Maximum Capacity / Filling Slot	No
Rolling Element	Ball Bearing
Snap Ring	No
Internal Special Features	No
Cage Material	Steel
Internal Clearance	C0-Medium
Inch - Metric	Metric
Long Description	30MM Bore; 72MM Outside Diameter; 19MM Outer Race Width; Open; Ball Bearing; ABEC 1 ISO P0; No Filling Slot; No Snap Ring; No Internal Special Features; C0-Medium Internal Clearance; Steel Cage
Other Features	Deep Groove
Category	Single Row Ball Bearing
UNSPSC	31171504
Harmonized Tariff Code	8482.10.50.68
Noun	Bearing
Keyword String	Ball
Manufacturer URL	http://www.nachiamerica.com
Weight / LBS	0.77
Outer Race Width	0.748 Inch 19 Millimeter
Inner Race Width	0 Inch 0 Millimeter
Bore	1.181 Inch 30 Millimeter
Outside Diameter	2.835 Inch 72 Millimeter
Bore Type	Cylindrical Bore
Configuration	Single Row
Bore Size	30 mm
Width	19 mm
Fillet Radius/Chamfer	1.1 mm



China Abec 7 Bearing Supplier

Dynamic Load Rating	26,700 N
Static Load Rating	15,000 N
Limiting Speed - Grease	10,000 rpm
Limiting Speed - Oil	12,000 rpm
Factor fo	13.2
Radial Clearance	0.005 to 0.020 mm
da (min)	37 mm
Da (max)	65 mm
ra (max)	1 mm